



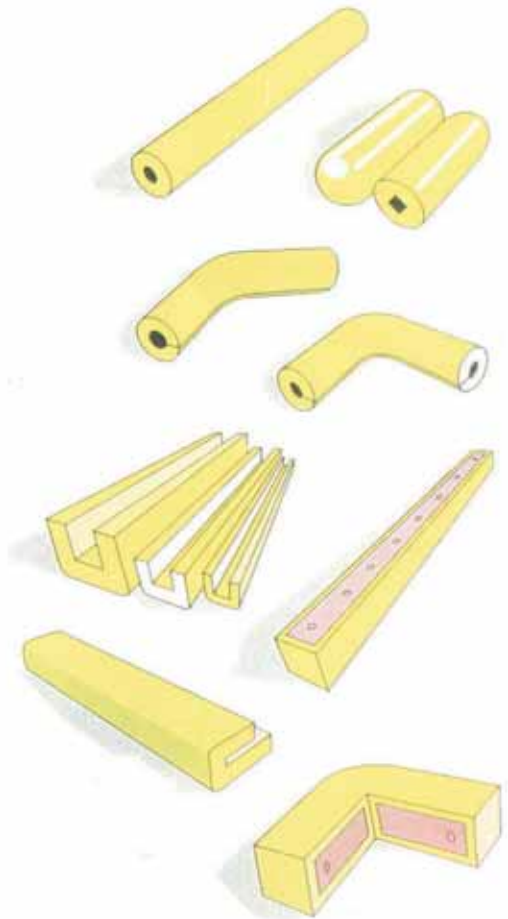


Foam Bumpers/Headknockers

Round/Bumper	
Round/Bumper	
Channel Bumper	
Straight/Corner Bumper	



H&D MOLDING
INCORPORATED

8357 STANDUSTRIAL ST • STANTON, CA 90680
PH: (714)828-3210 • FAX: (714)828-3208

Foam Bumpers

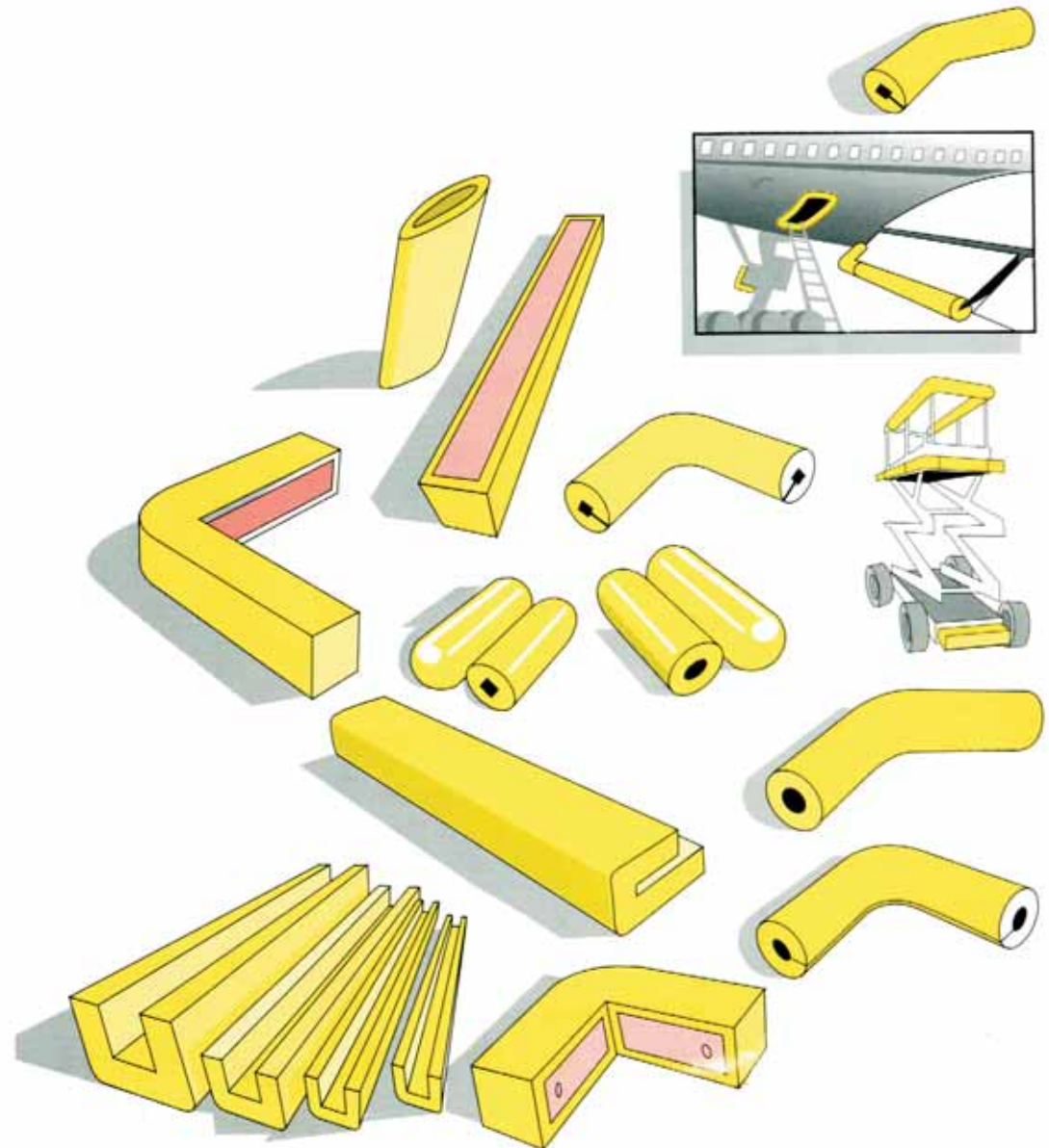


Protect the Product: Bumpers/Headknockers

Our high density Polyurethane Foam has a dual purpose, **first** to protect people, **second** to protect valuable products.

We have many standard shapes, but our specialty is design and manufacturing of PTP protection to fit your unique requirements.

This product has been used by the US military for years and has an outstanding product life for either interior or exterior uses.



H&D MOLDING
INCORPORATED

8357 STANDUSTRIAL ST • STANTON, CA 90680
PH: (714)828-3210 • FAX: (714)828-3208

Foam Bumper Round with Round ID



- Material: Polyurethane Foam
- Custom designed as required
- Safety Yellow Standard Color
- Several colors available
- Resistant to Solvents, Skydrol, MEK, Fuels
- UV Protected
- Fire Retardant

120° Bumper

Part No.	Inside Dimension	Length
PEL120P-100	1.00	15.00
PEL120P-112	1.12	15.00
PEL120P-125	1.25	15.00
PEL120P-150	1.50	15.00
PEL120P-190	1.90	15.00

90° Bumper

Part No.	Inside Dimension	Length
PEL90P-100	1.00	7.00
PEL90P-112	1.12	7.00
PEL90P-125	1.25	7.00
PEL90P-150	1.50	7.00
PEL90P-190	1.90	7.00

Straight Bumper

Part No.	Inside Dimension	Length
PRP-100	1.00	70.00
PRP-112	1.12	70.00
PRP-125	1.25	70.00
PRP-150	1.50	70.00
PRP-190	1.90	70.00

Straight Bumper/ No Slit

Part No.	Inside Dimension	Length
PRP-200 NS	2.00	70.00

Plug

Part No.	Inside Dimension	Length
PPP-100	1.00	6.00
PPP-112	1.12	6.00
PPP-125	1.25	6.00
PPP-150	1.50	6.00
PPP-190	1.90	6.00

Custom Design:
VHF Cover



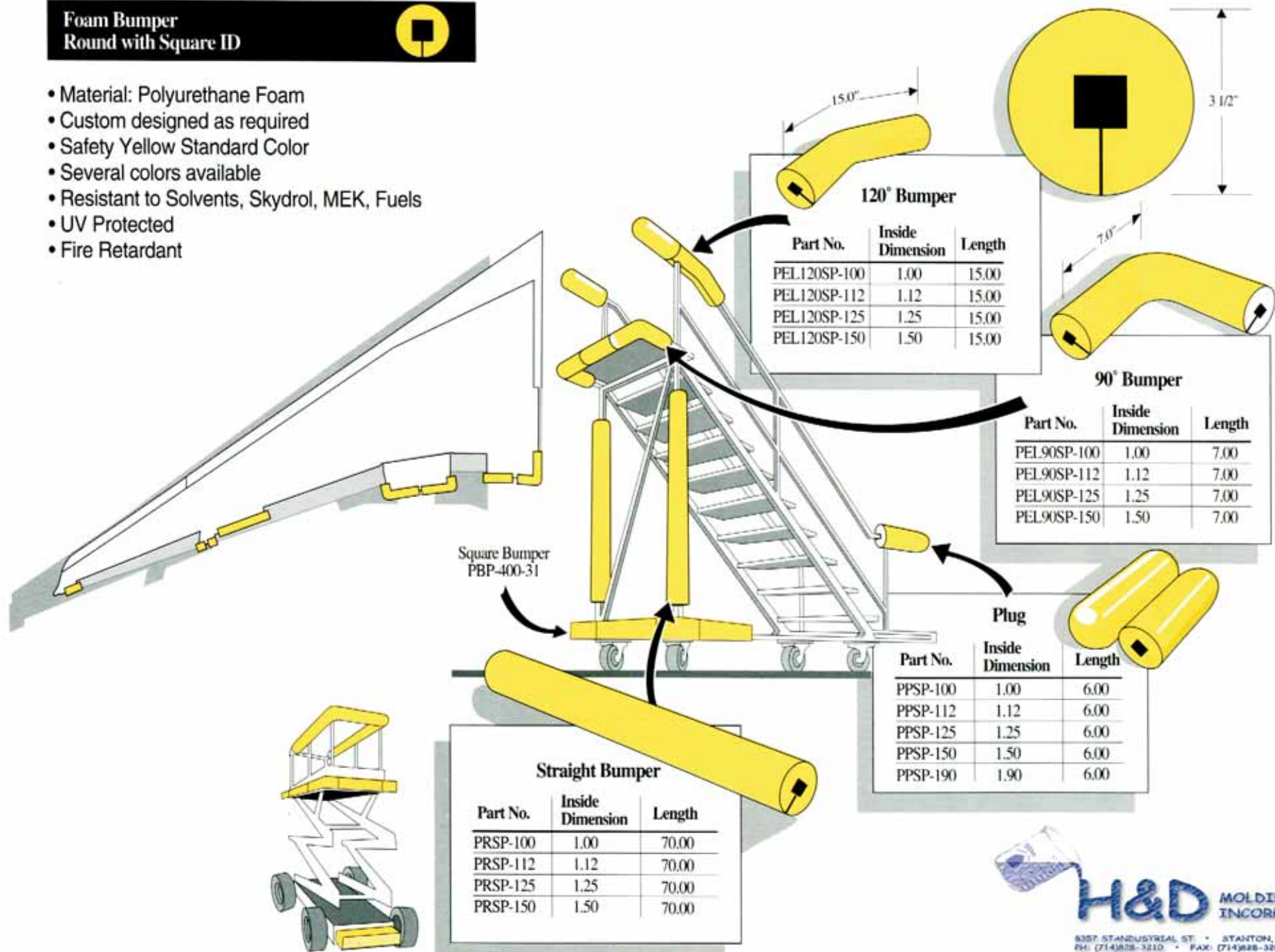
H&D MOLDING
INCORPORATED

6357 STANDUSTRIAL ST • STANTON, CA 90680
PH: (714)828-3210 • FAX: (714)828-3208

**Foam Bumper
Round with Square ID**



- Material: Polyurethane Foam
- Custom designed as required
- Safety Yellow Standard Color
- Several colors available
- Resistant to Solvents, Skydrol, MEK, Fuels
- UV Protected
- Fire Retardant



120° Bumper

Part No.	Inside Dimension	Length
PEL120SP-100	1.00	15.00
PEL120SP-112	1.12	15.00
PEL120SP-125	1.25	15.00
PEL120SP-150	1.50	15.00

90° Bumper

Part No.	Inside Dimension	Length
PEL90SP-100	1.00	7.00
PEL90SP-112	1.12	7.00
PEL90SP-125	1.25	7.00
PEL90SP-150	1.50	7.00

Plug

Part No.	Inside Dimension	Length
PPSP-100	1.00	6.00
PPSP-112	1.12	6.00
PPSP-125	1.25	6.00
PPSP-150	1.50	6.00
PPSP-190	1.90	6.00

Straight Bumper

Part No.	Inside Dimension	Length
PRSP-100	1.00	70.00
PRSP-112	1.12	70.00
PRSP-125	1.25	70.00
PRSP-150	1.50	70.00

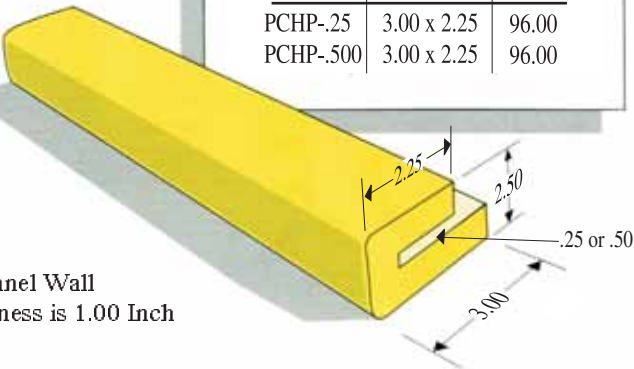
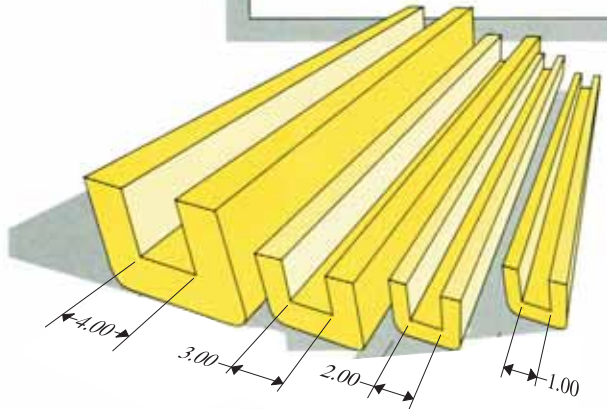
Channel Bumper



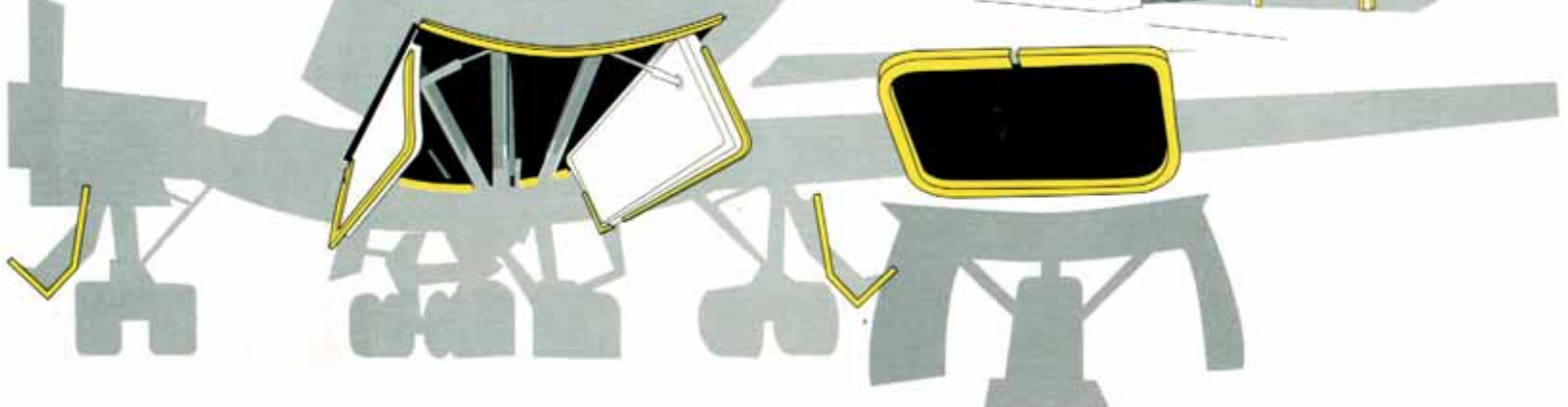
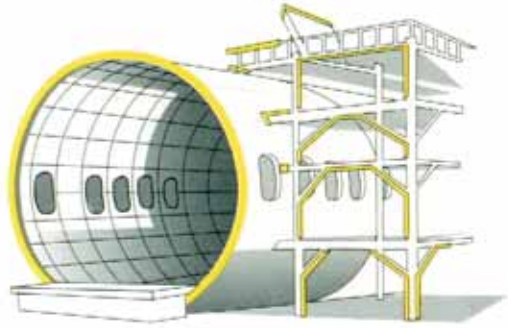
- Material: Polyurethane Foam
- Custom designed as required
- Safety Yellow Standard Color
- Several colors available
- Resistant to Solvents, Skydrol, MEK, Fuels
- UV Protected
- Fire Retardant

Channel Bumper		
Part No.	Channel Width*	Length
PCHP-100-1	1.00	96.00
PCHP-200-2	2.00	96.00
PCHP-300-3	3.00	96.00
PCHP-400-4	4.00	96.00
PCHP-600-6	6.00	96.00

Thin Channel Bumper		
Part No.	Dimensions	Length
PCHP-.25	3.00 x 2.25	96.00
PCHP-.500	3.00 x 2.25	96.00



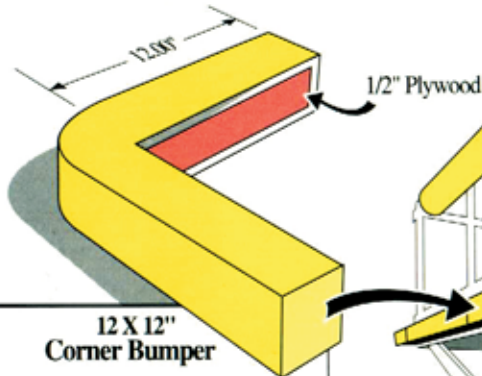
*Channel Wall Thickness is 1.00 Inch



Straight/Corner Bumper

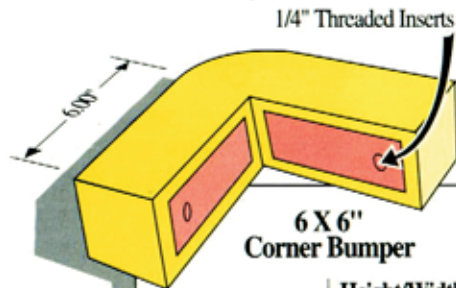


- Material: Polyurethane Foam
- Rigid Plywood backing with or without threaded inserts
- Custom designed as required
- Safety Yellow Standard Color
- Several colors available
- Resistant to Solvents, Skydrol, MEK, Fuels
- UV Protected
- Fire Retardant



12 X 12" Corner Bumper

Part No.	Height/Width
PCBP-300-3-6	3.00 X 3.00
PCBP-300-3-12	3.00 X 3.00
PCBP-400-3-6	4.00 X 3.00
PCBP-400-3-12	4.00 X 3.00

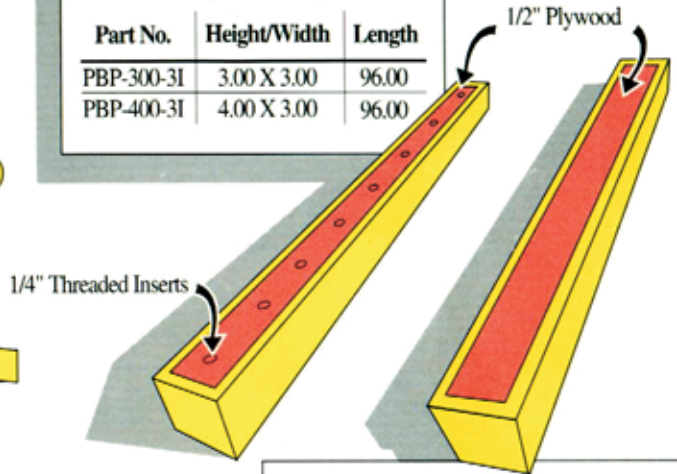


6 X 6" Corner Bumper

	Height/Width
PCBP-300-3I-6	3.00 X 3.00
PCBP-300-3I-12	3.00 X 3.00
PCBP-400-3I-6	4.00 X 3.00
PCBP-400-3I-12	4.00 X 3.00

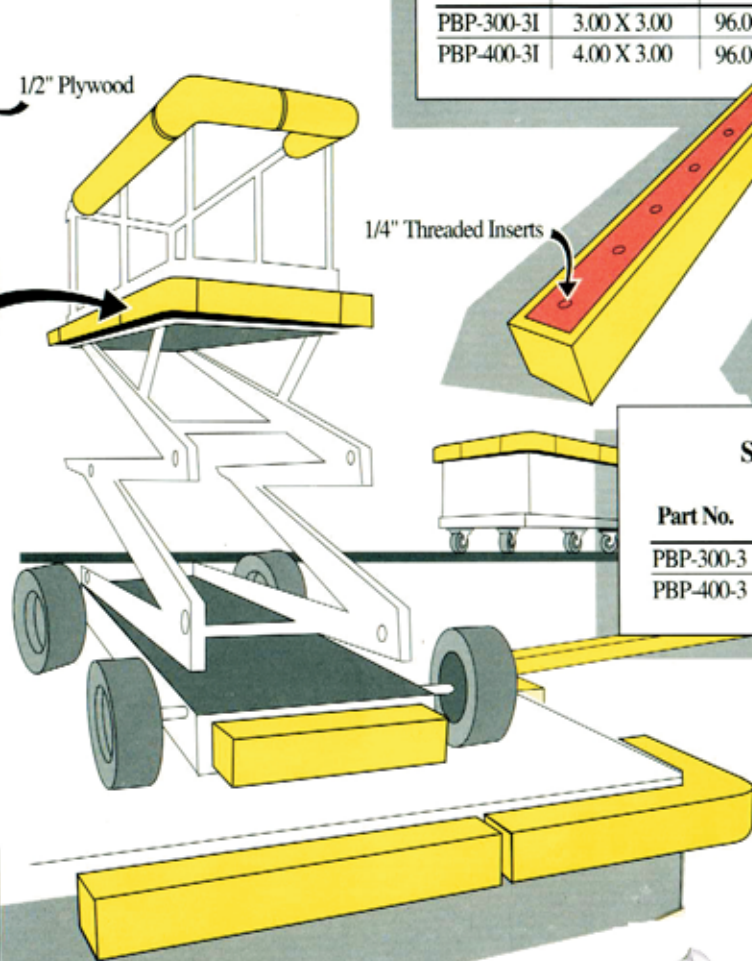
Straight Bumper (with inserts)

Part No.	Height/Width	Length
PBP-300-3I	3.00 X 3.00	96.00
PBP-400-3I	4.00 X 3.00	96.00



Straight Bumper

Part No.	Height/Width	Length
PBP-300-3	3.00 X 3.00	96.00
PBP-400-3	4.00 X 3.00	96.00



8357 STANDUSTRIAL ST • STANTON, CA 90680
 PH: (714)828-3210 • FAX: (714)828-3208